



Selectable Output Chimes and Chime/Strobes

SpectrAlert® Advance selectable-output chimes and chime/strobes are rich with features guaranteed to cut installation times and maximize profits.



SPECTRAlert®
ADVANCE
from System Sensor

SpectrAlert Advance selectable-output chimes and chime/strobes are private mode notification appliances used to alert trained personnel to investigate possible emergency situations and to take appropriate action. Security guard and nurse workstations are ideal locations for chime products.

SpectrAlert Advance chimes and chime/strobes are rich with features guaranteed to cut installation times and maximize profits. The SpectrAlert Advance Series of notification appliances is designed to simplify your installations, with features such as plug-in designs, instant feedback messages to ensure correct installation of individual devices, and seven field-selectable candela settings for chime/strobes.

More specifically, when installing SpectrAlert Advance products, first attach a universal mounting plate to a four-inch square, four-inch octagon, single-gang, or double-gang junction box. Then, connect the notification appliance circuit wiring to the SEMS terminals on the mounting plate.

Finally, attach the chime or chime/strobe to the mounting plate by inserting the product's tabs in the mounting plate's grooves. The device is rotated into position, locking the product's pins into the mounting plate's terminals. The device will temporarily hold in place with a catch until it is secured with a captive mounting screw.

SpectrAlert Advance products allow you to choose:

- 12 or 24 volts
- At 24 volts, 15, 15/75, 30, 75, 95, 110, or 115 candela by way of rear-mounted slide switch and front view window
- Select chime tones and volume using a simple rotary switch

Features

- Plug-in design
- Shorting spring on mounting plate for pre-installation continuity check
- Captive mounting screw
- Torx screw for tamper resistance
- Field-selectable candela settings: 15, 15/75, 30, 75, 95, 110, 115
- Automatic selection of 12- or 24-volt operation at 15 and 15/75 candela
- Minimal intrusion into the back box
- Rotary switch for tone selection
- Two volume settings
- Electrically compatible with existing SpectrAlert products
- Listed for ceiling or wall mounting

Agency Listings



7125-1653-188 (chime/strobes)
7125-1653-189 (chimes)

SpectrAlert Advance Specifications

Architect/Engineer Specifications

General

SpectrAlert Advance chimes and chime/strobes shall mount to a standard 4 × 4 × 1½-inch back box, 4-inch octagon back box, single-gang 2 × 4 × 17⁄8-inch back box, or double-gang back box. A universal mounting plate shall be used for mounting products. The notification appliance circuit wiring shall terminate at the universal mounting plate. Also, SpectrAlert Advance products, when used with the Sync-Circuit Module accessory, shall be powered from a non-coded notification appliance circuit output and shall operate on a nominal 12 or 24 volts. When used with the Sync-Circuit Module, 12-volt rated notification appliance circuit outputs shall operate between nine and 17.5 volts; 24-volt rated notification appliance circuit outputs shall operate between 17 and 33 volts. Indoor SpectrAlert Advance products shall operate between 32 and 120 degrees Fahrenheit from a regulated DC, or full-wave rectified, unfiltered power supply. Chime/strobes shall have field-selectable candela settings of 15, 15/75, 30, 75, 95, 110 and 115.

Chime/Strobe Combination

The chime/strobe shall be a System Sensor SpectrAlert Advance Model _____ listed to UL 1638 and UL 464. The chime/strobe shall comply with the Americans with Disabilities Act requirements for visible signaling appliances, flashing at 1Hz over the strobe's entire operating voltage range. The strobe light shall consist of a xenon flash tube and associated lens/reflector system. The chime shall have two audibility options and an option to switch between a temporal three-pattern and a non-temporal (continuous) pattern. These options are set by a multiple position switch.

Synchronization Module

The module shall be a System Sensor Sync-Circuit _____ listed to UL 464 and shall be approved for fire protective service. The module shall synchronize SpectrAlert strobes at 1Hz and chimes at temporal three. Also, while operating the strobes, the module shall silence the chimes on chime/strobe models over a single pair of wires. The module shall mount to a 4¼ × 4¼ × 2⅛-inch back box. The module shall also control two Style Y (class B) circuits or one Style Z (class A) circuit. The module shall synchronize multiple zones. Daisy chaining two or more synchronization modules together will synchronize all the zones they control. The module shall not operate on a coded power supply.

Physical/Electrical Specifications

Standard Operating Temperature	32°F to 120°F (0°C to 49°C)
Humidity Range	10 to 93% non-condensing
Strobe Flash Rate	1 flash per second
Nominal Voltage	Regulated 12DC/FWR or regulated 24DC/FWR ¹
Operating Voltage Range²	8 to 17.5V (12V nominal) or 16 to 33V (24V nominal)
Input terminal wire gauge	12 to 18 AWG
Chime/strobe dimensions (including lens)	5.6 in L × 4.7 in W × 2.5 in D (142 mm L × 119 mm W × 64 mm D)
Chime dimensions	5.6 in L × 4.7 in W × 1.3 in D (142 mm L × 119 mm W × 33 mm D)
BBS-2 (red back box skirt)	5.9 in L × 5.0 in W × 2.2 in D (151 mm L × 128 mm W × 56 mm D)
BBSW-2 (white back box skirt)	5.9 in L × 5.0 in W × 2.2 in D (151 mm L × 128 mm W × 56 mm D)

Notes:

1. Full Wave Rectified (FWR) voltage is a non-filtered, time varying power source that is used on some power supply and panel outputs.
2. CHS products will operate at 12 V nominal only for 15 and 15/75 cd.

UL Current Draw Data

UL Max. Chime Current Draw (mA RMS)					
Sound Pattern	dB	8–17.5 Volts		16–33 Volts	
		DC	FWR	DC	FWR
1 Second Chime	High	34	50	58	51
1 Second Chime	Low	30	51	51	54
¼ Second Chime	High	34	51	50	50
¼ Second Chime	Low	31	51	50	52
Temporal Chime	High	30	50	48	54
Temporal Chime	Low	30	47	50	51
5 Second Whoop	High	32	52	34	54
5 Second Whoop	Low	30	40	34	52
Coded	High	48	49	50	50 *

*This data represents coding at 3 chimes per second. Actual current draw will vary depending upon coding selected.

UL Max. Chime/Strobe Current Draw (mA RMS)										
DC Input	8–17.5 Volts			16–33 Volts						
	15	15/75		15	15/75	30	75	95	110	115
1 Second Chime High	131	142		65	76	94	160	185	207	213
1 Second Chime Low	131	142		64	75	92	157	183	203	212
1/4 Second Chime High	129	142		66	75	95	159	184	205	212
1/4 Second Chime Low	129	142		64	74	91	155	181	204	211
Temporal Chime High	125	142		64	74	91	156	181	205	211
Temporal Chime Low	129	141		65	75	92	155	180	200	209
5 Second Whoop High	133	145		70	81	99	165	189	210	217
5 Second Whoop Low	130	143		66	77	95	160	186	206	214
One Time Chime *	127	141		64	76	93	156	182	203	210

FWR Input	8–17.5 Volts			16–33 Volts						
	15	15/75		15	15/75	30	75	95	110	115
1 Second Chime High	128	150		72	82	98	158	183	202	210
1 Second Chime Low	127	150		71	81	97	157	182	202	210
1/4 Second Chime High	129	149		72	82	99	160	183	203	211
1/4 Second Chime Low	128	149		71	81	97	154	179	196	205
Temporal Chime High	128	148		71	81	97	157	179	199	206
Temporal Chime Low	125	147		71	81	97	156	180	200	206
5 Second Whoop High	136	152		84	93	110	170	193	212	220
5 Second Whoop Low	132	150		77	86	102	161	184	203	214
One Time Chime *	127	147		72	82	97	157	181	200	210

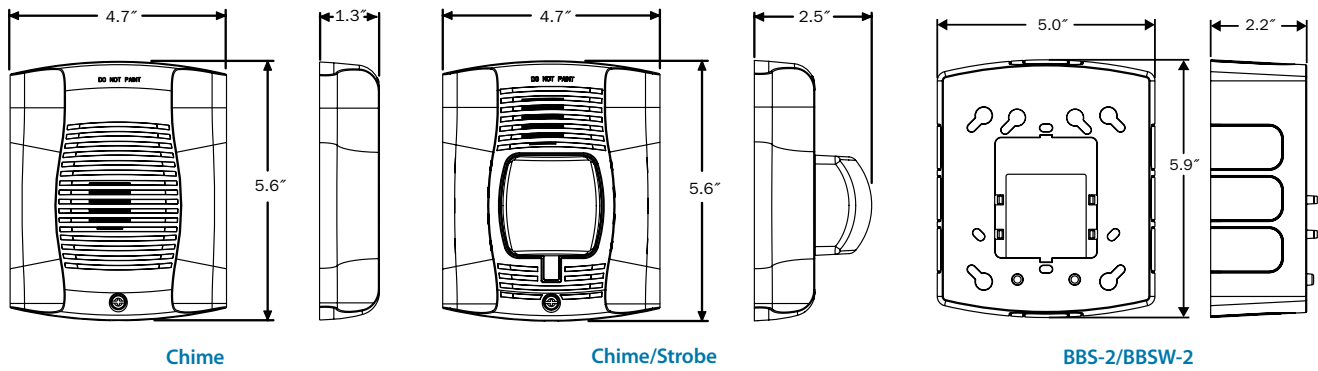
*Chime/Strobes cannot be powered with a coded supply.

Tone Selection

Chime tone selection is accomplished by using the rotary switch on the back of the product. The current draw and sound measurements for various chime tone settings are listed below.

Chime Patterns			Chime and Chime/Strobe Output (dBA)						
Setting	Repetition Rate	dB Level	Switch Position	Sound Pattern	dB	8–17.5 Volts		16–33 Volts	
						DC	FWR	DC	FWR
1	1 Second Chime	High	1	1 Second Chime	High	58	59	61	61
2	1 Second Chime	Low	2	1 Second Chime	Low	53	54	55	55
3	¼ Second Chime	High	3	¼ Second Chime	High	63	64	66	66
4	¼ Second Chime	Low	4	¼ Second Chime	Low	58	59	60	60
5	Temporal Chime	High	5	Temporal Chime	High	62	64	68	69
6	Temporal Chime	Low	6	Temporal Chime	Low	55	57	60	60
7	5 Second Whoop	High	7	5 Second Whoop	High	68	71	75	77
8	5 Second Whoop	Low	8	5 Second Whoop	Low	62	64	67	68
9	One Test Chime/coded	High	9	One Test Chime/coded	High	57	55	51	57

SpectrAlert Advance Dimensions



SpectrAlert Advance Ordering Information

Model	Description
CHR	Chime, Red
CHW	Chime, White
CHSR	Chime/Strobe, Red
CHSW	Chime/Strobe, White
Accessories	
BBS-2	Back Box Skirt, Wall, Red
BBSW-2	Back Box Skirt, Wall, White



CHSR
Red Chime Strobe



CHSW
White Chime Strobe



CHR
Red Chime



CHW
White Chime