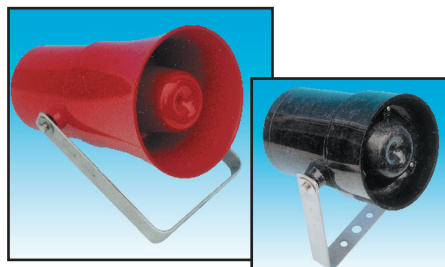


Speakers - Up to 25 Watts, Hazardous Location, Weatherproof DB4 Range



15W/20W/25W (Long Flare)

8W (Short Flare)

Description:

This range of loudspeakers, intended for use in potentially explosive gas and dust atmospheres, has a power rating of up to 25 watts and is suitable for use in all gas groups including hydrogen.

The flamepaths, flare and the body, are manufactured completely from a UV stable glass reinforced polyester. Stainless steel screws and sinter are incorporated thus ensuring a corrosion free product. A tapered flamepath is used to overcome the problems of assembly of parallel spigot flamepaths.

This product does not include a blocking capacitor. Contact Cooper Wheelock Technical Support for models with a blocking capacitor*.

*Coming Soon

Features*:

- UL listed for USA and Canada:
 - Class I, Div 2, Groups A-D.
 - Class I, Zones 1, AExd IIC, T4
 - Class II, Div 2, Groups F & G
- California State Fire Marshal (CSFM) Listed
- ATEX approved
- NEMA 4x & 6, IP66 and IP67
- Certified temperature -67°F to $+158^{\circ}\text{F}$ (-55°C to $+70^{\circ}\text{C}$)
- GRP corrosion-free flamepaths
- 109dBA at 25 watts at 10 feet
- 8, 15 and 25 watt versions
- Power tapings, via integral transformer
- Ratcheted swivel bracket
- Stainless steel sinter
- Stainless steel mounting bracket
- Tapered flamepath

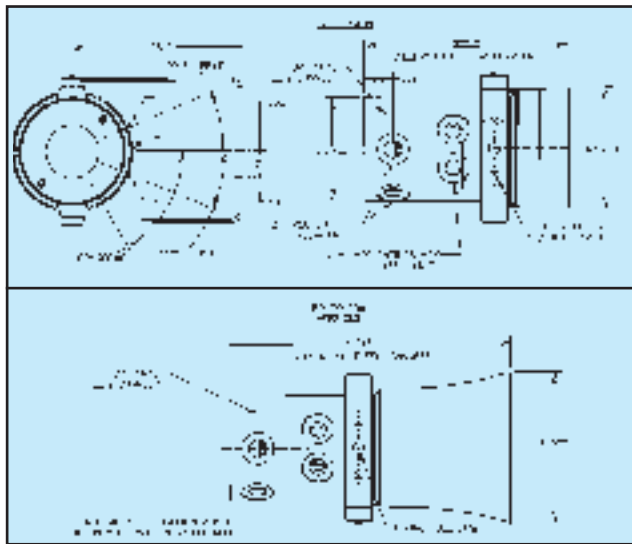
*Depends on version

Architects and Engineers Specifications

Speakers for hazardous locations and harsh environments shall be UL and cUL listed for Class I, Division 2, Groups A,B,C&D, and Class I, Zones 1, AExd IIC T4 applications. They shall be constructed of lightweight, UV stable glass reinforced polyester, shall be corrosion resistant, and shall meet NEMA 4x, NEMA 6, IP 66 & IP 67 environmental requirements over a temperature range of -67°F to $+158^{\circ}\text{F}$ (-55°C to $+70^{\circ}\text{C}$).

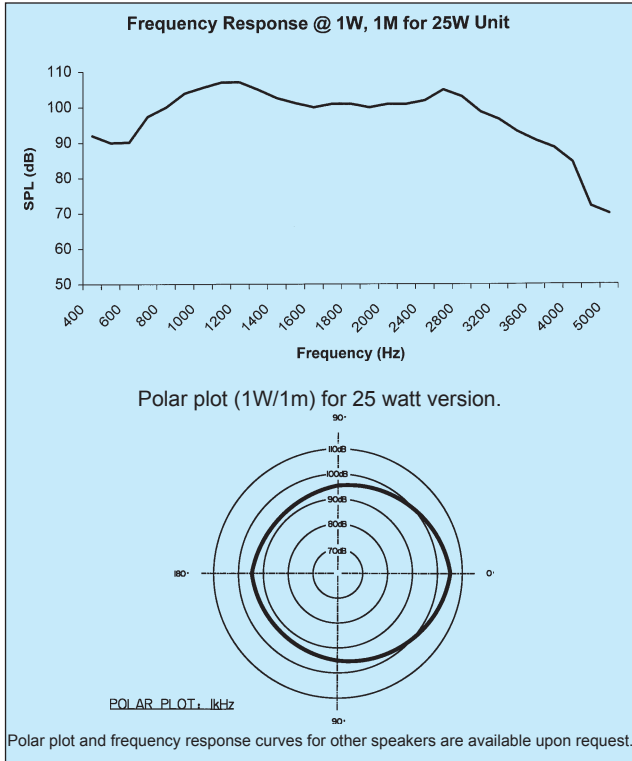
The speakers shall be rated for 70 vrms input with power taps for 1,2,4,6,12.5 or 25 watt operation. Rated sound output shall be up to 109 dBA at 10 feet and rated frequency response shall be 400Hz to 8kHz. The speakers shall include a stainless steel mounting bracket with ratchet facility to direct sound output.

Note: Due to continuous development of our products, specifications and offerings are subject to change without notice in accordance with Cooper Wheelock standard terms and conditions.



Specification

Rated Power:	8, 15 or 25 watts RMS continuous (at 77°F).
Certification:	UL listed for USA and Canada: - Class I, Div 2, Groups A-D - Class I, Zones 1, AExd IIC T4. - Class II, Div 2, Groups F & G California State Fire Marshal (CSFM) Listed ATEX approved: EN50014, 18, 19. No. BAS00ATEX2097X. EExd 11C T41/T5 Cert. No. BAS00ATEX2098X. EExd 11C T41/T5 Zones 1 not for use in atmospheres containing carbon disulphide
Material:	Body & horn in anti-static, UV stable, glass reinforced polyester. Swivel bracket in stainless steel. Captive cover screws in stainless steel.
Finish:	Body and horn, natural black or epoxy paint coated to client's color requirements.
Output:	97 dBA at 1 Watt at 10 feet 109 dBA at 25 Watts at 10 feet Measured in accordance with IEC 268.
Weight:	11lb./5.0kg approx.
Certified Temperature:	-67°F to +158°F (55°C to +70°C)
Ingress Protection:	NEMA 4x & 6, IP66 & IP67.
Frequency Range:	400Hz to 8kHz.
Voice Coil Impedance:	8 ohms.
Transformer:	Used to vary the rated power by selecting different tapings (see table below).



Transformer Tappings	Power		
	25W	15W	8W
1:2	25.0*	15.0*	8.0*
2:3	12.5*	7.5*	4.0*
3:4	6.0	5.0	2.0
1:3	4.0	4.0	1.5
2:4	2.0*	2.0*	0.7*
1:4	1.0	0.8	0.4

Transformer Options:

- Standard Tapping: Loop in/out (4 x 2) terminal tap change (8 terminals).
- Optional Tapping: 4 terminal tap change with 2 terminals (5 & 6), directly connected to driver (8 ohms).

Other tapings & driver impedances available on request.

Terminals: 8 x 14 AWG

Mounting: Bracket with ratchet facility.

Labels: Duty and tag labels optional.

Cable Entries: 2 x 1/2" NPT.

*Include blocking capacitor for DC supervision of field wiring
Standard Models

Series	Model Number	Order Code	Description
DB4	DB425ULXN2CRZ	109208-001	Speaker, 25 Watt, Transformer, Red Finish
DB4	DB415ULXN2CRZ	109208-002	Speaker, 15 Watt, Transformer, Red Finish

Note: When placing your order, please include Supervision Diode on products.

Configuration Options:

Max. Rated Power	Certification	Transformer	Labels	Entries	Color																																														
DB4	UL																																																		
<table border="1"> <thead> <tr> <th>Power</th> <th>Code</th> </tr> </thead> <tbody> <tr> <td>8 watt</td> <td>8</td> </tr> <tr> <td>15 watt</td> <td>15</td> </tr> <tr> <td>25 watt</td> <td>25</td> </tr> </tbody> </table>	Power	Code	8 watt	8	15 watt	15	25 watt	25	<table border="1"> <thead> <tr> <th>Type</th> <th>Code</th> </tr> </thead> <tbody> <tr> <td>UL listed</td> <td>UL</td> </tr> </tbody> </table>	Type	Code	UL listed	UL	<table border="1"> <thead> <tr> <th>Transformer</th> <th>Code</th> </tr> </thead> <tbody> <tr> <td>Yes</td> <td>X*</td> </tr> <tr> <td>None</td> <td>N</td> </tr> <tr> <td colspan="2">*Std 100V Other values available, specify voltage.</td> </tr> </tbody> </table>	Transformer	Code	Yes	X*	None	N	*Std 100V Other values available, specify voltage.		<table border="1"> <thead> <tr> <th>Label</th> <th>Code</th> </tr> </thead> <tbody> <tr> <td>Duty</td> <td>D*</td> </tr> <tr> <td>Tag</td> <td>T*</td> </tr> <tr> <td>None</td> <td>N</td> </tr> <tr> <td colspan="2">*Please specify wording</td> </tr> </tbody> </table>	Label	Code	Duty	D*	Tag	T*	None	N	*Please specify wording		<table border="1"> <thead> <tr> <th>Color</th> <th>Code</th> </tr> </thead> <tbody> <tr> <td>Natural Black</td> <td>N</td> </tr> <tr> <td>Red</td> <td>R</td> </tr> <tr> <td>Special</td> <td>S*</td> </tr> <tr> <td colspan="2">*Please specify</td> </tr> </tbody> </table>	Color	Code	Natural Black	N	Red	R	Special	S*	*Please specify		<table border="1"> <thead> <tr> <th>Entries</th> <th>Code</th> </tr> </thead> <tbody> <tr> <td>1 x 1/2" NPT</td> <td>1C</td> </tr> <tr> <td>2 x 1/2" NPT</td> <td>2C</td> </tr> </tbody> </table>	Entries	Code	1 x 1/2" NPT	1C	2 x 1/2" NPT	2C
Power	Code																																																		
8 watt	8																																																		
15 watt	15																																																		
25 watt	25																																																		
Type	Code																																																		
UL listed	UL																																																		
Transformer	Code																																																		
Yes	X*																																																		
None	N																																																		
*Std 100V Other values available, specify voltage.																																																			
Label	Code																																																		
Duty	D*																																																		
Tag	T*																																																		
None	N																																																		
*Please specify wording																																																			
Color	Code																																																		
Natural Black	N																																																		
Red	R																																																		
Special	S*																																																		
*Please specify																																																			
Entries	Code																																																		
1 x 1/2" NPT	1C																																																		
2 x 1/2" NPT	2C																																																		

Note: For Fire System applications, a transformer and 1.5 capacitor is required on all DB4 products and should be noted on your order.



WE ENCOURAGE AND SUPPORT NICET CERTIFICATION
3 YEAR WARRANTY
DB4 08/11

NJ Location
273 Branchport Ave.
Long Branch, NJ 07740
P: 800-631-2148
F: 732-222-8707
www.coopernotification.com