



# FIRE-LINK®

## The Advanced Audibility Solution



[www.signalink.com](http://www.signalink.com)  
1.888.491.3883

**SIGNALINK**  
OLD WIRES. NEW CONNECTIONS.



FIRE-LINK® utilizes a revolutionary new technology to communicate through the buildings existing electrical wires. We can put a fully supervised and addressable mini-horn, strobe or bed shaker anywhere there's a plug-in. Drastically improving life safety with no disruption, mess or ugly wiring, truly the "greener solution"!

## ADVANTAGES

---

- Meet current audibility standards – 75 dBA in the bedroom
- Address owner/manager insurance liability issues
- Easily deployed, clean and attractive installs with no wiring required into the suite/occupancy
- No holes in floors/walls, no surface raceways, no mess, building looks the same as when the installation started
- Better technology than conventional installation. Know within seconds which suite is tampering with the fire alarm system.
- Negligible disruption to occupants of the complex (no complaints)
- Significantly reduces installation labor
- No drilling, coring or fishing of new wires
- No costly upgrading of the existing fire alarm system
- Audible devices plug directly into any AC outlet
- Addressed to the suite number and supervised

## APPLICATIONS

---

Applications for the FIRE-LINK® system include apartment buildings, condos, historical buildings, group homes, seniors complexes or just about anywhere that wants a quick, clean solution to improved life safety.

## FREQUENTLY ASKED QUESTIONS

### *Is the Fire-Link product approved for connection into the AC power system?*

The Fire-Link system has complete electrical approvals. The PPC-600 is UL and CSA approved for connection into a 3-phase circuit breaker panel. The ISD-1000 and NMC-100 are both approved electrically for connection into the AC power system as well as FCC approved for power line applications.

### *Does the Fire-Link System have a UL/ULC listing as a fire safety device?*

The Fire-Link System has the following U.S.A. UL listings:

- UL864: Commercial Fire Alarm Applications
- UL985: Residential Fire Warning Control System

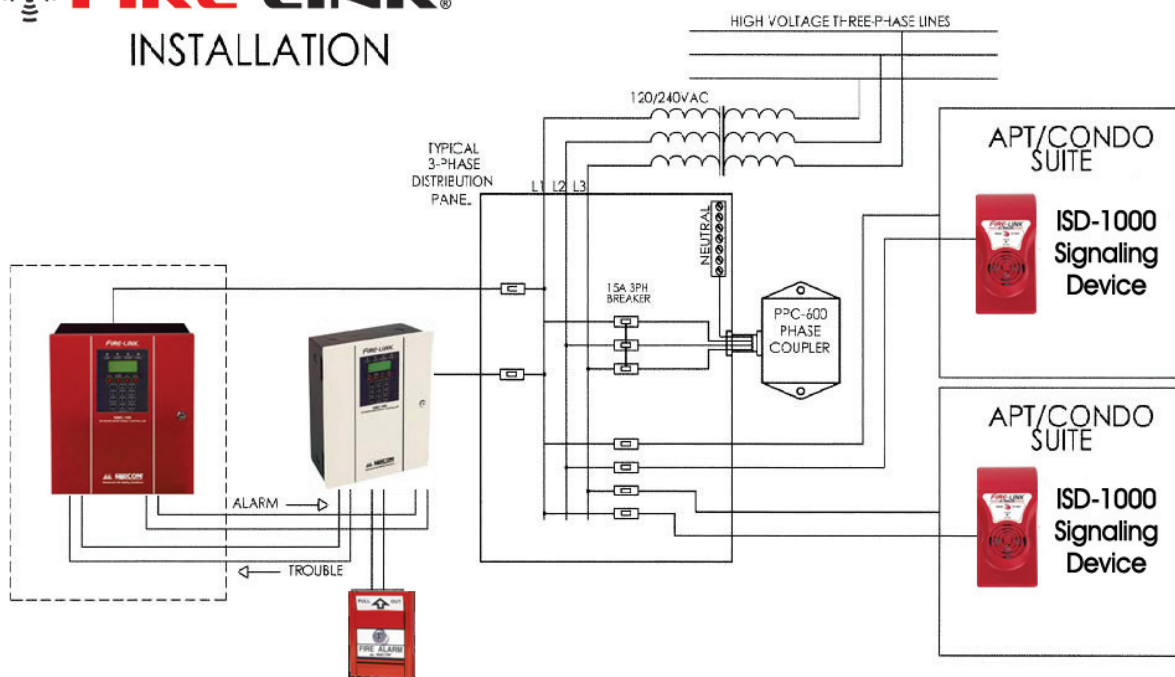


The Fire Link System has the following Canadian ULC listings:

- ULC-S527-99: Commercial Fire Alarm Applications
- ULC-S525: Audibility Standard
- ULC-S545: Residential Fire Warning Control System

## TYPICAL WIRING DIAGRAM

### TYPICAL FIRE-LINK® INSTALLATION



## PRODUCT LINE CARD



### **NMC-100**

The NMC-100 is a Fire Alarm Control Unit which acts as a control gateway for the FIRE-LINK® network. The NMC-100 uses our unique Power Line Technology and 'mesh' networking to provide the highest possible reliability. This product operates within Signalink's FIRE-LINK® network utilizing our In-suite Signaling Devices (ISD-1000). The NMC-100 can be a stand-alone system for residential household occupancies or can be used to supplement all brands of fire alarm systems in commercial occupancies.



### **ISD-1000**

The ISD-1000 is a plug-in, addressable, audible device. The ISD-1000 uses Signalink's unique power line technology and 'mesh' networking to provide the highest possible reliability. It operates at 91 dBa and plugs into any 120 VAC power outlet.



### **PPC-600**

The PPC-600 is a self contained module that couples FIRE-LINK® signals over multiple phases of power lines. It can easily be installed in electrical distribution panels and supports a variety of voltage and network configurations.

*To become an authorized dealer, or obtain further information, please contact:*

Scott McCormack at (416) 819-4883

Or Tom Gill at (604) 644-9876

**SIGNALINK**  
OLD WIRES. NEW CONNECTIONS.

Units 13 & 14, 2550 Acland Rd Kelowna, BC Canada V1X 7L4  
Phone: 1.888.491.3883 Fax: 250.491.3895  
[www.signalink.com](http://www.signalink.com)